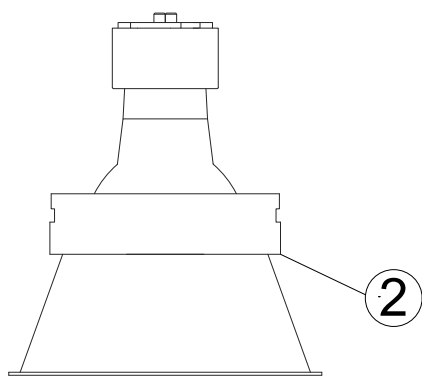



- metal-stud w. sheetrock
- concrete or eq
- board adhesive
- mineral wool board
- Acospray DC1



1 - spray ceiling  
2 - place accessory

**NOTE:**  
 - Acosorb products always need to be applied accordingly to the instructions by Acosorb on clean, dry and non expanding surfaces like concrete, gypsum or eq  
 Dimensions of profiles and other products depends on the applied thickness of Acosorb product.

Product:	ACOSPRAY DC 1 2.0 ACOSORB RING	Date:	V1.0 2019	info@acosorb.com
Scale:	1:2	Drawn by:	ACOSORB	WWW.ACOSORB.COM
Papersize:	A4	 seamless acoustical spray- and plasterwork		

\* These details are basic principle drawings. This drawing does not function as or will replace any execution drawings. The client or contractor is responsible for the correct application of the product. All dimensions need to be checked by client or contractor.